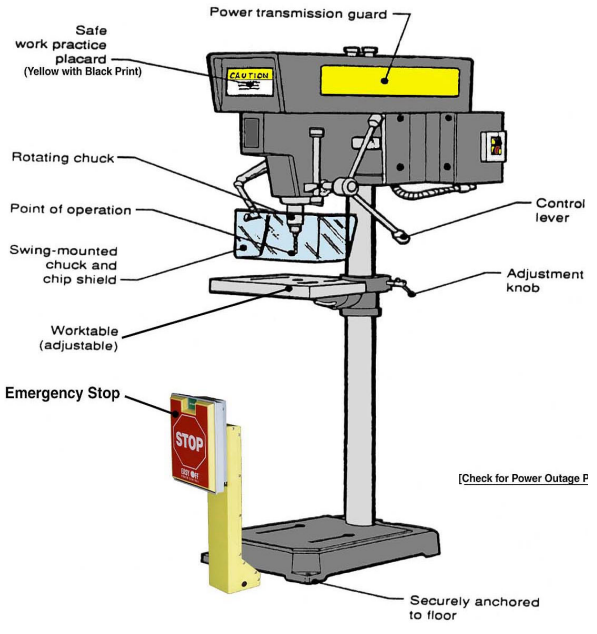


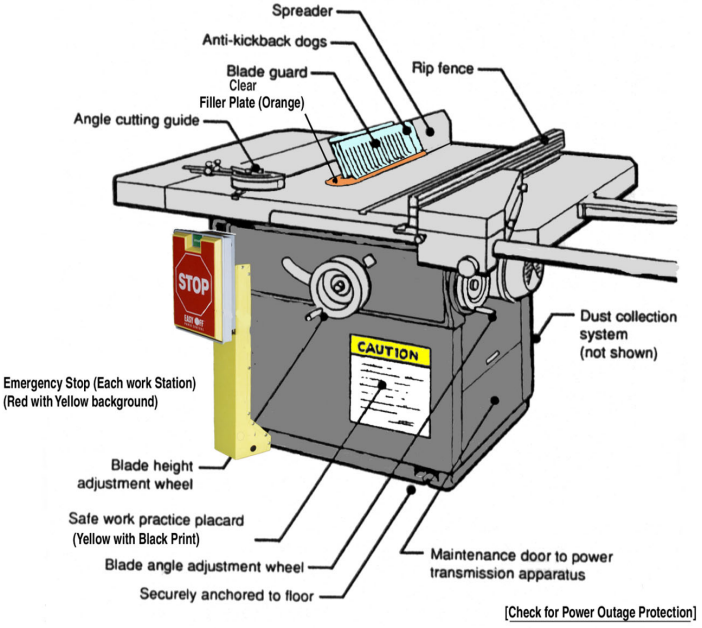
Drill Press Survey	
District #:	School #:
Surveyor's name:	Date of survey:
Instructor's name:	Classroom name & #:
Manufacturer: <input type="checkbox"/> Acme <input type="checkbox"/> Boice Crane <input type="checkbox"/> Bosch <input type="checkbox"/> Clausing <input type="checkbox"/> Craftsman <input type="checkbox"/> Delta <input type="checkbox"/> Powermatic <input type="checkbox"/> Rockwell <input type="checkbox"/> Other _____	
Model #:	Serial #:
Machine has: <input type="checkbox"/> Emergency-stop switch at operator's position <input type="checkbox"/> Power-outage protection <input type="checkbox"/> Lockable disconnect	
Voltage: <input type="checkbox"/> 110-125 <input type="checkbox"/> 208 <input type="checkbox"/> 220 <input type="checkbox"/> 440	Full load amps:
Horsepower:	# of phases: <input type="checkbox"/> 1 <input type="checkbox"/> 3



Please explain all "No" responses in the Notes section below	Yes	No
1. Are the pulleys, belts, and shafts fully enclosed by a guard?		
2. Are the pulley and belt guards color-coded yellow?		
3. Are the edges of the pulleys color-coded orange?		
4. Is the electrical system in compliance?		
5. Does the lower rear guard fully enclose the pulley and belt?		
6. Are all speed-control handles and knobs installed?		
7. Are all spindle-control handles and knobs installed and secure to shaft and hub?		
8. Is a spring-loaded chuck key available?		
9. Is the chuck key size available? If no, what is the make and model of the chuck?		
10. Is a shield that protects the operator from chips and broken bits installed?		
11. Is the machine firmly anchored?		
12. Is there a high-friction coating at the operator's position on the floor?		

Notes _____

Table Saw Survey	
District #:	School #:
Surveyor's name:	Date of survey:
Instructor's name:	Name & classroom #:
Manufacturer: <input type="checkbox"/> Acme <input type="checkbox"/> Boice Crane <input type="checkbox"/> Bosch <input type="checkbox"/> Bridgeport <input type="checkbox"/> Clausing <input type="checkbox"/> Craftsman <input type="checkbox"/> Delta <input type="checkbox"/> Grobe Brothers <input type="checkbox"/> Powermatic <input type="checkbox"/> Rockwell <input type="checkbox"/> Other	
Model #:	Serial #:
Machine has: <input type="checkbox"/> Emergency-stop switch at operator's position <input type="checkbox"/> Power-outage protection <input type="checkbox"/> Lockable disconnect	
Voltage: <input type="checkbox"/> 110-125 <input type="checkbox"/> 208 <input type="checkbox"/> 220 <input type="checkbox"/> 440	Full load amps:
Horsepower:	# of phases: <input type="checkbox"/> 1 <input type="checkbox"/> 3



[Check for Power Outage Protection]

Please explain all "No" responses in the Notes section below	Yes	No
1. Are a functional splitter and anti-kick back guard available for ripping operations?		
2. Is there a properly supported hood guard that readily maintains contact with the work piece and encloses the blade? Are the metal parts color-coded yellow? Is the guard undamaged and made up of OEM parts?		
3. Does the insert that surrounds the blade above the table have no more than 1/8" gap between the blade and the sides of the insert? Is it color coded orange?		
4. Is the guard support system adjustable to accommodate a wide range of work piece thicknesses?		
5. Is the electrical system in compliance?		
6. Is the saw fence fully adjustable with knobs intact?		
7. Are the power transmission guards in place and be properly color-coded yellow? Are user-accessible pulleys color-coded orange on their edges?		
8. Is a properly located and designated emergency-stop switch installed?		
9. Does a functional braking system stop blade rotation within 1 minute after shutoff?		
10. Is the machine anchored to a stable surface, unless inherently stable by weight and configuration?		
11. Is there a non-skid surface at the operator's position and at the take out position?		

Notes _____
